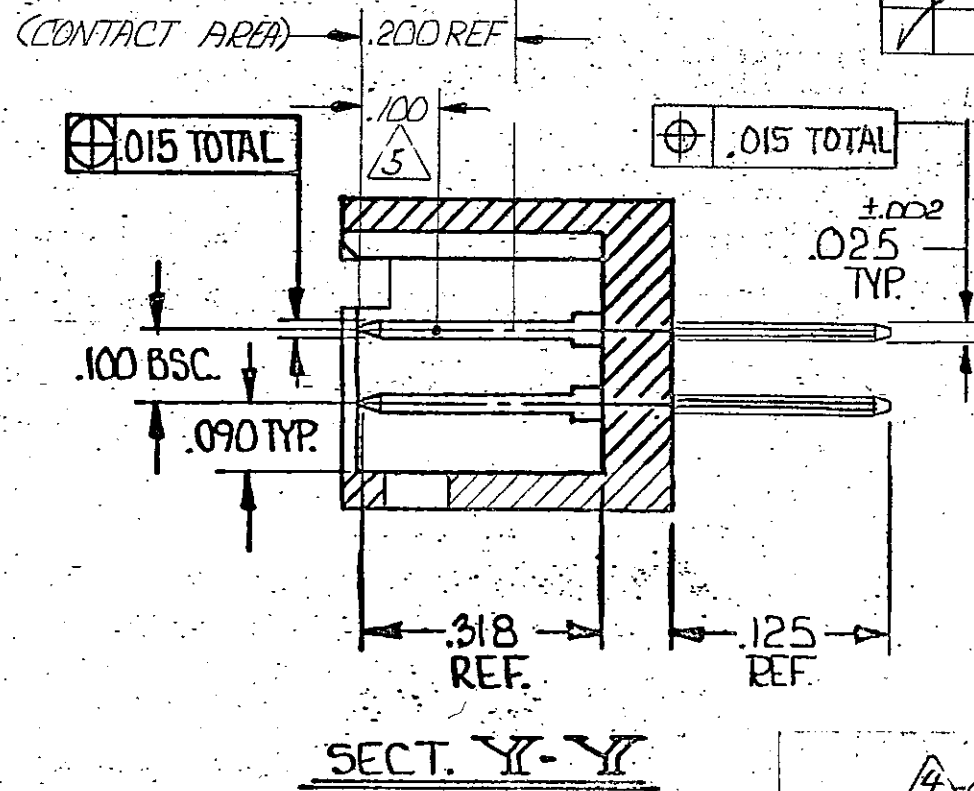
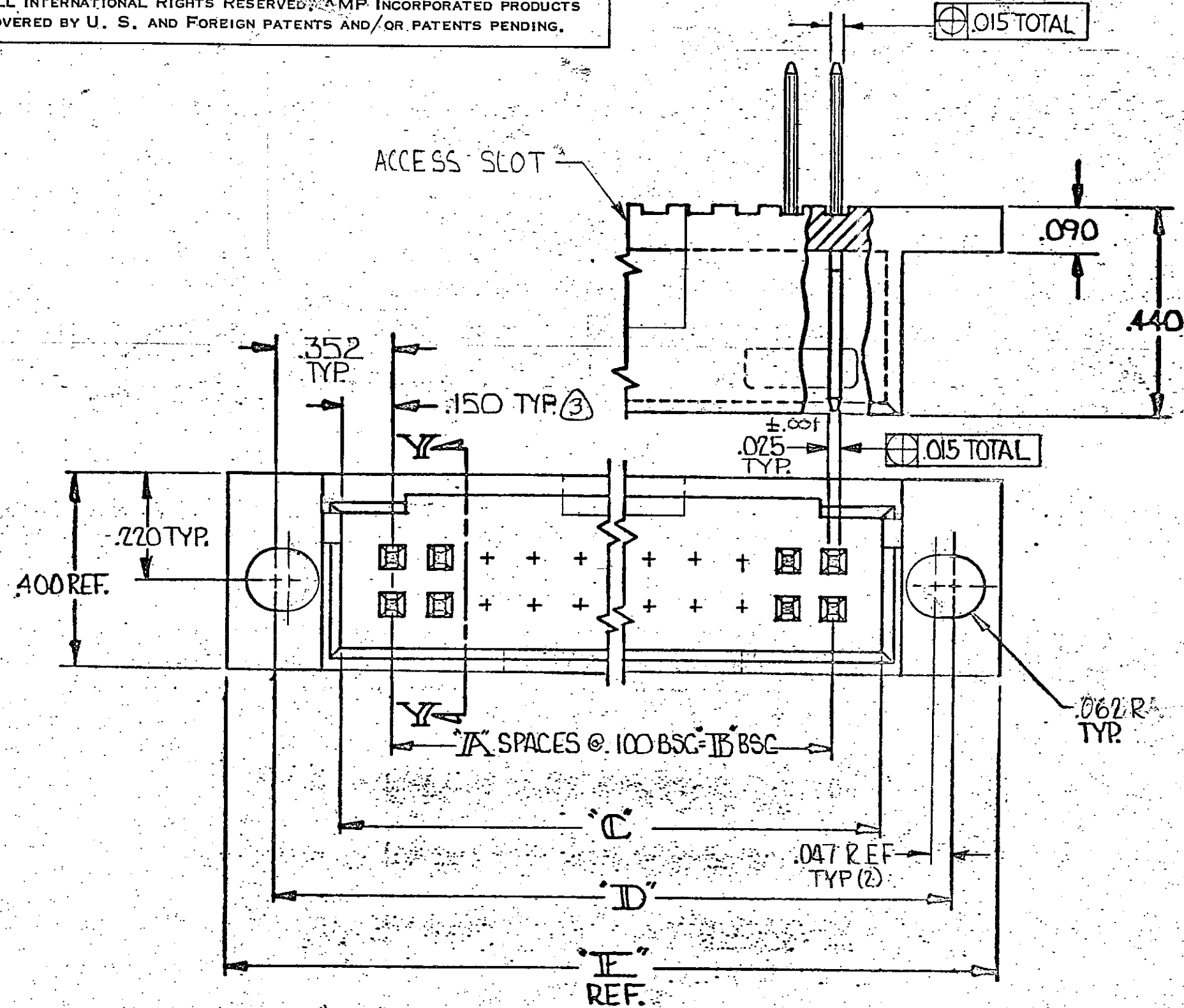


© COPYRIGHT 1975-83 BY AMP INCORPORATED, HARRISBURG, PA. ALL INTERNATIONAL RIGHTS RESERVED. AMP INCORPORATED PRODUCTS COVERED BY U. S. AND FOREIGN PATENTS AND/OR PATENTS PENDING.

		REVISIONS				
P	F	ZONE	LTR	DESCRIPTION	DATE	APPROVED
✓			G	REV PER AD-5084	2-1-91	RF
✓			H	REV PER AD-5161	2-1-91	RF
✓			J	REV PER 0010-0981-93	RAC 9-93	JL
✓			K	REV PER 0310-0146-96	EB 2-27-97	SAS
✓			L	REV PER 0310-0437-97	EB 12-3-97	SAS



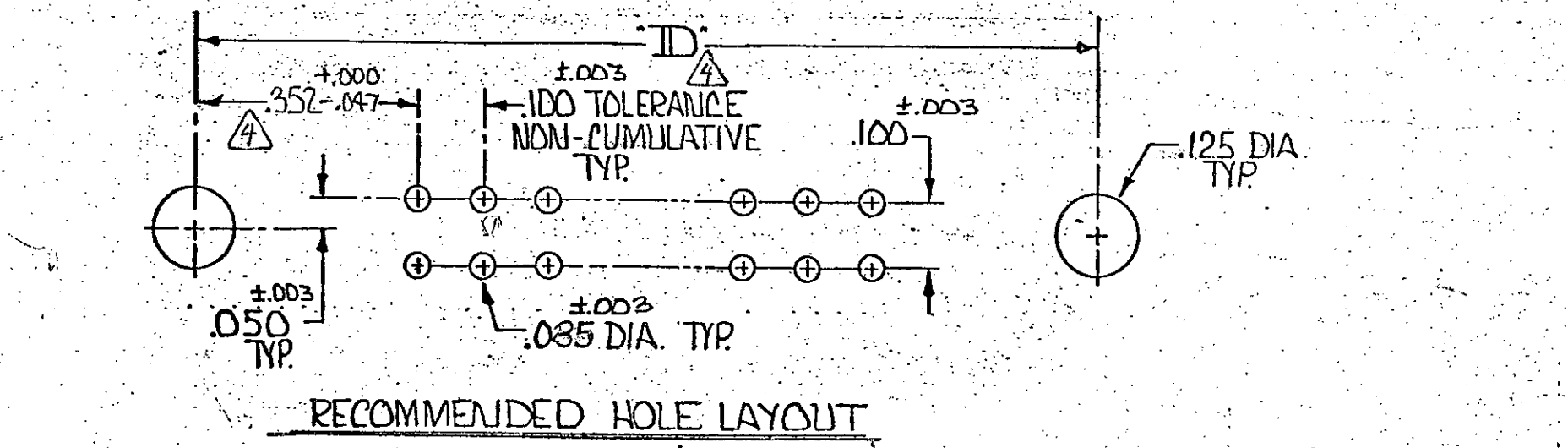
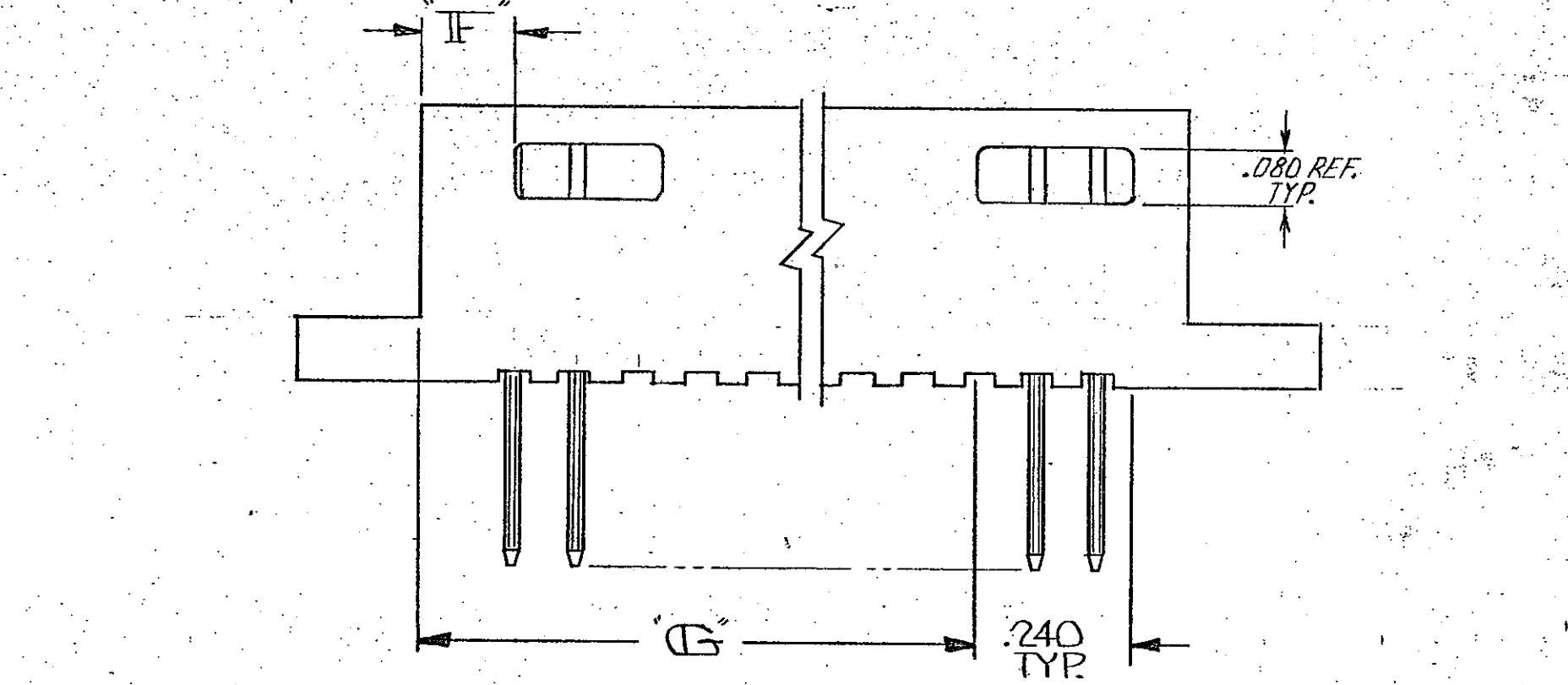
△ .000030 BOLD ON CONTACT AREA, GOLD FLASH ON SOLDER AREA ALL OVER .000050 MIN. NICKEL ON ENTIRE POST.


③ WILL ALSO MATE WITH OTHER CONNECTORS WHICH ARE COMPATIBLE WITH THE .150 END DIM. AND WILL MATE W/MOD IV HAVING FOUR EXTRA EMPTY CIRCUITS (TWO EA. END) --- EX: 20 POS. POST HEADER WILL MATE WITH 24 POS. MOD IV HOUSING.

④ CUSTOMER P.C. BRD. LAYOUT MAY VARY WITHIN THIS RANGE. WHEN MATING WITH MOD IV CONNECTORS UTILIZING JACKSCREW HARDWARE USE D-.099" AND .305 TYP.

⑤ POINT OF MEASUREMENT FOR PLATING THICKNESS.

	7.890	.190	3.804	3.604	3.100	2.900	29	①	60	2-87474-6
	7.790		3.704	3.504	3.100	2.800	28		58	2-87474-5
	7.690		3.604	3.404	3.000	2.700	27		56	2-87474-4
	7.590		3.504	3.304	2.900	2.600	26		54	2-87474-3
	7.490		3.404	3.204	2.800	2.500	25		52	2-87474-2
	7.390		3.304	3.104	2.700	2.400	24		50	2-87474-1
	7.290		3.204	3.004	2.600	2.300	23		48	2-87474-0
	7.190		3.104	2.904	2.500	2.200	22		46	2-87474-0
	7.090		3.004	2.804	2.400	2.100	21		44	2-87474-9
	6.990		2.904	2.704	2.300	2.000	20		42	2-87474-8
	6.890		2.804	2.604	2.200	1.900	19		40	2-87474-7
	6.790		2.704	2.504	2.100	1.800	18		38	2-87474-6
	6.690		2.604	2.404	2.000	1.700	17		36	2-87474-5
	6.590		2.504	2.304	1.900	1.600	16		34	2-87474-4
	6.490		2.404	2.204	1.800	1.500	15		32	2-87474-3
	6.390		2.304	2.104	1.700	1.400	14		30	2-87474-2
	6.290		2.204	2.004	1.600	1.300	13		28	2-87474-1
	6.190		2.104	1.904	1.500	1.200	12		26	2-87474-0
	6.090		2.004	1.804	1.400	1.100	11		24	2-87474-9
	5.990		1.904	1.704	1.300	1.000	10		22	2-87474-8
	5.890		1.804	1.604	1.200	.800	8		18	2-87474-7
	5.790		1.704	1.504	1.100	.700	7		16	2-87474-6
	5.690		1.604	1.404	1.000	.600	6		14	2-87474-5
	5.590		1.504	1.304	.900	.500	5		12	2-87474-4
	5.490		1.404	1.204	.800	.400	4		10	2-87474-3
	5.390		1.304	1.104	.700	.300	3		8	2-87474-2
	5.290		1.204	1.004	.600	.200	2		6	2-87474-1
	5.190		1.104	.904	.500	.100	1		4	2-87474-0
	5.090		1.004	.804	.400	.000	0		2	2-87474-9
	4.990		.904	.704	.300	.000	0		0	2-87474-8
	4.890		.804	.604	.200	.000	0		0	2-87474-7
	4.790		.704	.504	.100	.000	0		0	2-87474-6
	4.690		.604	.404	.000	.000	0		0	2-87474-5
	4.590		.504	.304	.000	.000	0		0	2-87474-4
	4.490		.404	.204	.000	.000	0		0	2-87474-3
	4.390		.304	.104	.000	.000	0		0	2-87474-2
	4.290		.204	.004	.000	.000	0		0	2-87474-1
	4.190		.104	.004	.000	.000	0		0	2-87474-0
	4.090		.004	.004	.000	.000	0		0	2-87474-9
	4.000		.000	.000	.000	.000	0		0	2-87474-8
	4.000		.000	.000	.000	.000	0		0	2-87474-7
	4.000		.000	.000	.000	.000	0		0	2-87474-6
	4.000		.000	.000	.000	.000	0		0	2-87474-5
	4.000		.000	.000	.000	.000	0		0	2-87474-4
	4.000		.000	.000	.000	.000	0		0	2-87474-3
	4.000		.000	.000	.000	.000	0		0	2-87474-2
	4.000		.000	.000	.000	.000	0		0	2-87474-1
	4.000		.000	.000	.000	.000	0		0	2-87474-0
	4.000		.000	.000	.000	.000	0		0	2-87474-9
	4.000		.000	.000	.000	.000	0		0	2-87474-8
	4.000		.000	.000	.000	.000	0		0	2-87474-7
	4.000		.000	.000	.000	.000	0		0	2-87474-6
	4.000		.000	.000	.000	.000	0		0	2-87474-5
	4.000		.000	.000	.000	.000	0		0	2-87474-4
	4.000		.000	.000	.000	.000	0		0	2-87474-3
	4.000		.000	.000	.000	.000	0		0	2-87474-2
	4.000		.000	.000	.000	.000	0		0	2-87474-1
	4.000		.000	.000	.000	.000	0		0	2-87474-0



UNLESS OTHERWISE SPECIFIED DIMENSIONS ARE IN INCHES. TOLERANCES ON: DECIMALS ± .005 ANGLES ± .005	CONTRACT NO		 AMP INCORPORATED Harrisburg, Pa.
	DR: <i>K. Wolfe</i> 10-13-75	NAME	
MATERIAL HSG. = GLASS FILLED NYLON COLOR - BLACK POST = PHOS. BRONZE	CHK: <i>D.M. Wolfe</i> 10-14-75	HEADER ASSY., MOD II, .075 SQ. POST, DBL. ROW, .100 X .100 CENTERS, W/ MTG. EARS & DETENT SLOTS (MATES W/ AMP LATCH OR FFC) (2)	
	APPD: <i>Bennett</i> 10-14-75	SIZE CODE IDENT NO DRAWING NO	
FINISH: SEE TABLE	APPD: <i>C. Lopinski</i> 10/14/75	C 00779 87474	
	DSGN APPD:	SCALE	
	OTHER APPD:	SHEET	